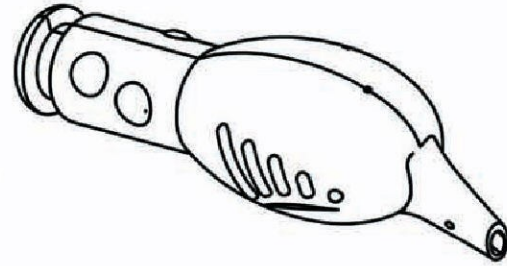
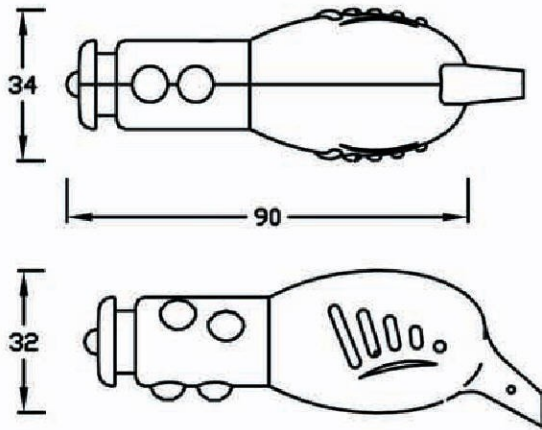


Car Chargers

(DY12 Series)



Weight: **76g** (Approximate)

Unit in mm

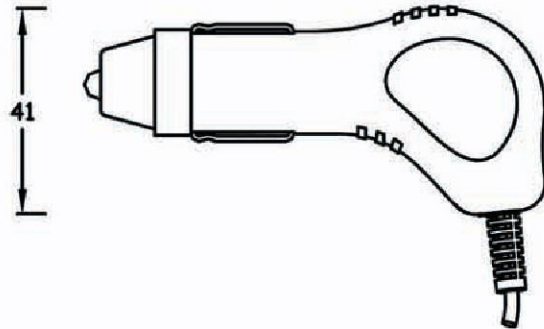
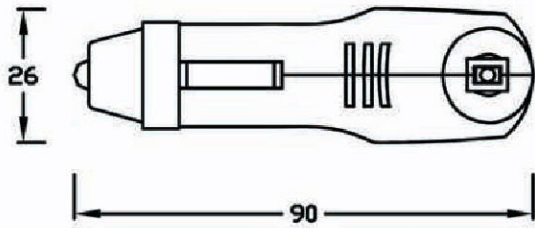
Series No.,	RANGE OF INPUT VOLTAGE (Vdc)	OUTPUT VOLTAGE (Vdc)	OUTPUT CURRENT (Max) (A)
DY12080A	10.8~30.0	1.5	0.50
DY12015A	10.8~30.0	3.0	0.50
DY12023A	10.8~30.0	4.5	0.50
DY12021A	10.8~30.0	6.0	0.35
DY12023B	10.8~30.0	9.0	0.25
DY12030A	13.5~30.0	12.0	0.25

Remarks:

1. Power Indication: Green Light (Other colour available upon request)
2. For any further inquires about the safety approvals, output voltage or current. please feel free to contact our sales representative

Car Chargers

DY03 Series



Weight: 60g (Approximate)

Unit in mm

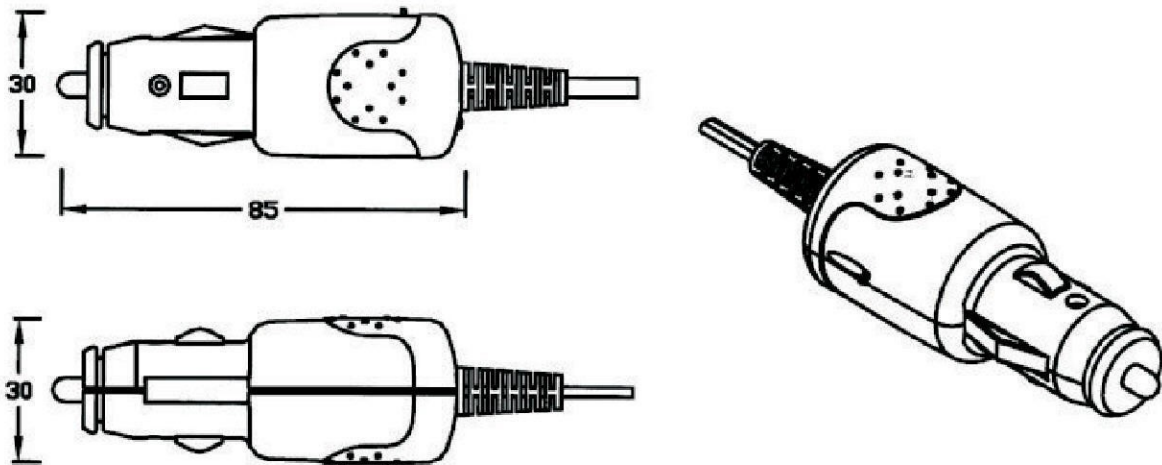
Series No.,	RANGE OF INPUT VOLTAGE (Vdc)	OUTPUT VOLTAGE (Vdc)	OUTPUT CURRENT (Max) (A)
DY03015A	10.8~30.0	1.5	1.00
DY03030A	10.8~30.0	3.0	1.00
DY03045A	10.8~30.0	4.5	1.00
DY03045B	10.8~30.0	6.0	0.75
DY03045C	10.8~30.0	9.0	0.50
DY03060A	13.5~30.0	12.0	0.50
DY03048A	10.8~22.5	24.0	0.20

Remarks:

1. Power Indication: Green Light (Other colour available upon request)
2. For any further inquires about the safety approvals, output voltage or current, please feel free to contact our sales representative

Car Chargers

DY04 Series



Weight: 75g (Approximate)

Unit in mm

Series No.,	RANGE OF INPUT VOLTAGE (Vdc)	OUTPUT VOLTAGE (Vdc)	OUTPUT CURRENT (Max) (A)
DY04045A	10.8~30.0	3.0	1.20
DY04068A	10.8~30.0	4.5	1.20
DY04090A	10.8~30.0	6.0	1.20
DY04090B	10.8~30.0	9.0	1.00
DY04120A	13.5~30.0	12.0	0.80
DY04120B	10.8~22.5	24.0	0.50

Series No.,	RANGE OF INPUT VOLTAGE (Vdc)	OUTPUT VOLTAGE (Vdc)	OUTPUT CURRENT (Max) (A)
DY04090C	10.8~30.0	3.0/4.5/6.0	1.20
DY04090D	10.8~30.0	4.5/6.0/9.0	1.00
DY04120C	13.5~30.0	6.0/9.0/12.0	0.80

Remarks:

1. Power Indication: Green Light (Other colour available upon request)
2. For any further inquires about the safety approvals, output voltage or current, please feel free to contact our sales representative